

Water pump control type thermal actuator

This actuator can be used in both underfloor heating system and controlling water pump. It is designed for low wattage, individual radiant circuit control. It provides on/off flow control to individual radiant circuits. Incorporates an indicator window that allows a visual indicator whether the valve is fully open(black) or closed(blue).



Features

Compact design

Low power consumption

Full view stroke indication

160s-230s open/close water pump

Noiseless

Support low-power control

Control water pump

Technical parameters

Model: 920074PL

Voltage: 220V AC

Power consumption: 2W

Working temperature: -5°C~60°C

Force: 110N

Closing and opening time: 3-5 minutes

Micro switch: max700mA(3A)

Control direction: Normally closed

Adapter: M30x1.5mm

Cable length: 800MM

Protection level: IP54

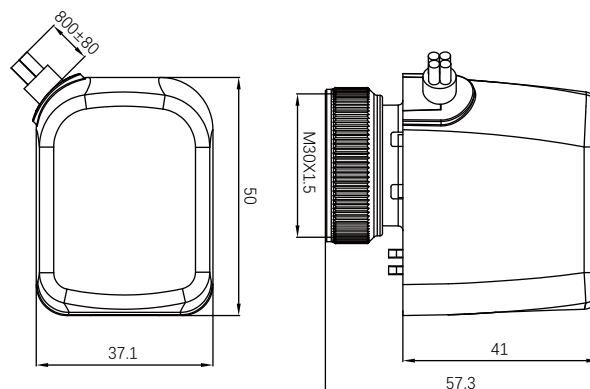
Standard: EN60730

Stroke: ≥ 3.4 mm

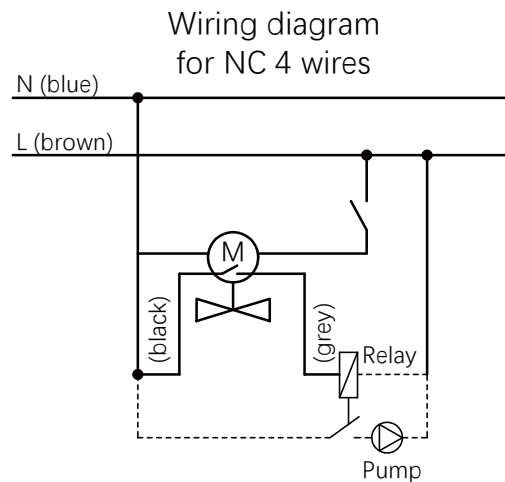
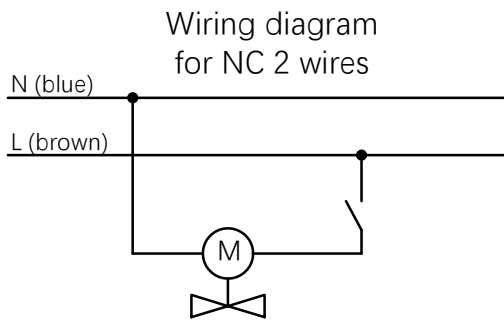
Housing material: PA66+30%GF

Dimensions

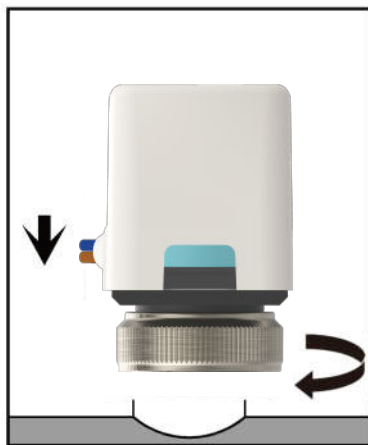
Unit: M M



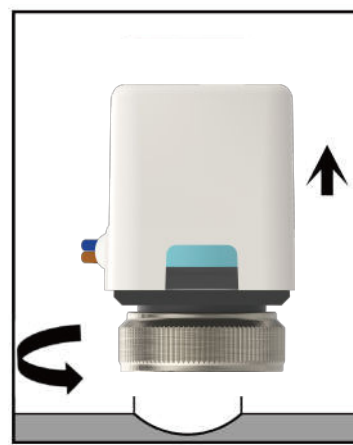
Wiring diagram



Installation and disassembly

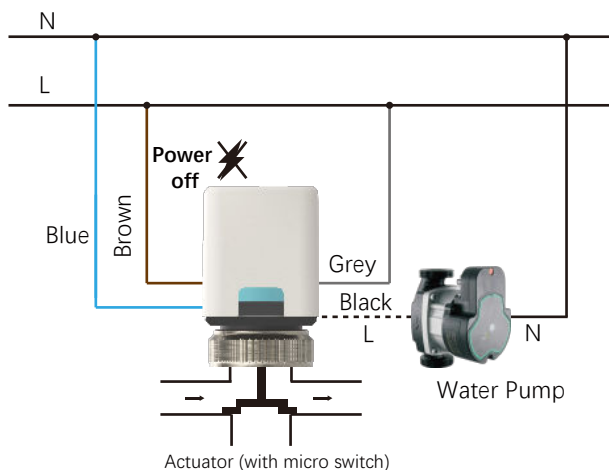


Rotate the nut clockwise and install it on the valve
 (Note: Do not use pipe pliers, clamp and other tools)

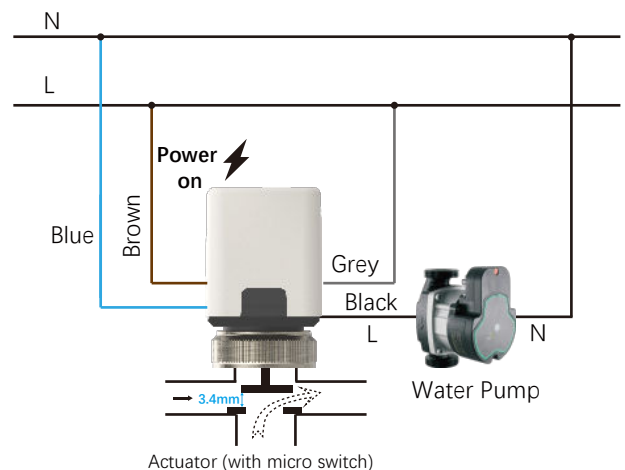


Rotate the nut anticlockwise until remove the actuator
 (Note: Do not use pipe pliers, clamp and other tools)

Working status



When the actuator is power off, the micro switch is disconnected and the water pump does not work.



When the actuator is powered on, the stroke is opened to 3,4mm(160s-230s) micro switch is turned on, and the water pump starts to work.