

LGX2725

The wax thermostatic element produced by the SMLG with its own patented formula is widely recognized, praised and applied in the industry for its sensitivity and accuracy. It has also passed the European experimental institutions product certification (ACS,WRAS)

Technical Parameter

Working Voltage 12v 24v 110v 220v

Max Working Temperature 90℃

Maximum Force 140N

Minimum Force 45N

Testing Force 85N

Material Copper

Stroke:L=3.8±0.4mm

Start response time<2min, Finish response time<6min

Durability:To make a circle that to increase the test load for 6 minutes and outage for 6 minutes, should control the L change quantity less than 8% after 30,000 times (about 250 days) circles

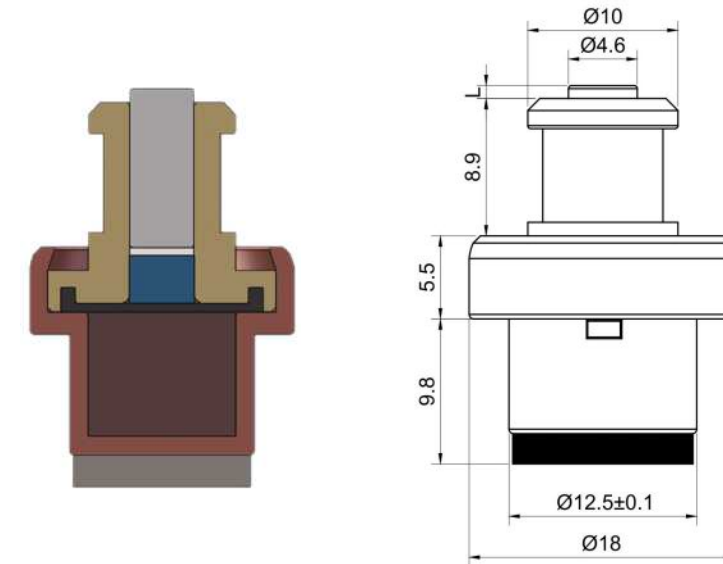
Application

- Automobile
- Plumbing
- Sanitary
- Shipping
- Air conditioning
- Military
- Other industries

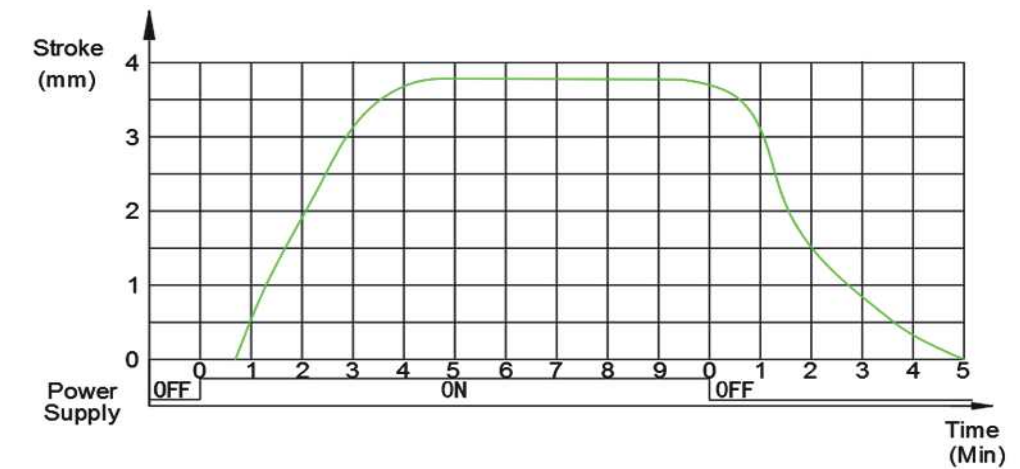
Customize Solution

If you are not sure about the parameters of thermostatic element, our team will assist you with your selection or customize according to your products' situation. Before any commitment, you need to send us written confirmation for the three performance parameters of the wax thermostatic element (temperature range, working stroke, working voltage and maximum force).

Dimension



Time VS. Stroke



All models and specifications

Item No	Voltage	Resistance	Stroke(mm)
LGX2725	220V	6.5KΩ±2KΩ	3.8±0.4
LGX2727	110V	1250Ω±250Ω	3.8±0.4
LGX2726	24V	125Ω±25Ω	3.8±0.4
LGX2728	12V	25Ω±5KΩ	3.8±0.4