



## LG041X

The wax thermostatic element produced by the SMLG with its own patented formula is widely recognized, praised and applied in the industry for its sensitivity and accuracy. It has also passed the European experimental institutions product certification (ACS, WRAS)

### Technical Parameter

	Maximum Load	140N	Temperature(°C)	Stroke(mm)
	Minimum Load	45N	45°C ~ 50°C	0.58 ± 0.15
	Testing Load	55N	50°C ~ 55°C	1.42 ± 0.15
	Spring Rate	5N/mm	55°C ~ 60°C	2.47 ± 0.2
	Maximum Temperature	90°C		
	Material	Copper		
	Stroke:	L=20±0.3mm at 50°C 50N		
	Lifespan:	100000 times		

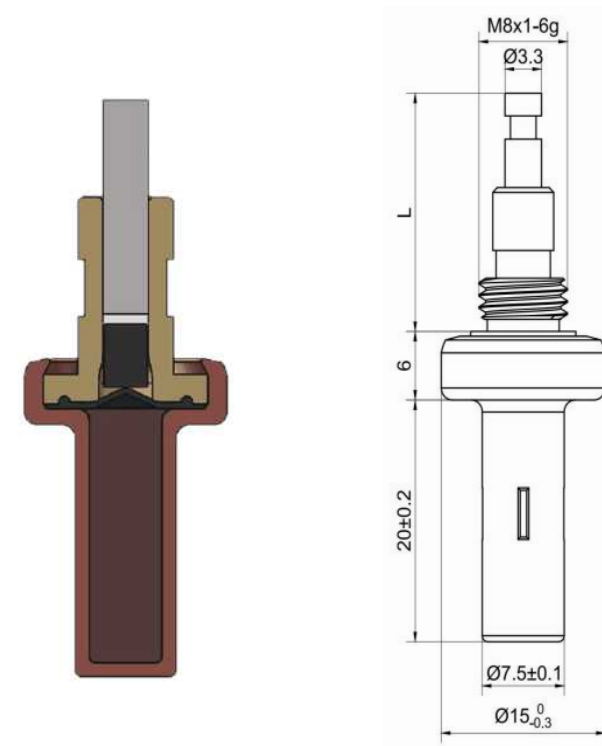
### Application

- Automobile
- Shipping
- Other industries
- Plumbing
- Air conditioning
- Sanitary
- Military

### Customize Solution

If you are not sure about the parameters of thermostatic element, our team will assist you with your selection or customize according to your products' situation. Before any commitment, you need to send us written confirmation for the three performance parameters of the wax thermostatic element (temperature range, working stroke and maximum load).

### Dimension



### Temperature VS. Stroke

