



LG034X

The wax thermostatic element produced by the SMLG with its own patented formula is widely recognized, praised and applied in the industry for its sensitivity and accuracy. It has also passed the European experimental institutions product certification (ACS, WRAS)

Technical Parameter

| | | Temperature(°C) | Stroke(mm) |
|---------------------|--------------------------|-----------------|------------|
| Maximum Load | 140N | | |
| Minimum Load | 45N | 1°C ~ 4°C | 4.5 ± 0.45 |
| Testing Load | 55N | 4°C ~ 25°C | ≤6 |
| Spring Rate | 5N/mm | | |
| Maximum Temperature | 90°C | | |
| Material | Copper | | |
| Stroke: | L = 26±0.5mm at 25°C 55N | | |
| Lifespan: | 100000 times | | |

After 30,000 cycles life testing, the length shall be not less than 25.5mm. After 100,000 cycles life testing, the length shall be not less than 25.2mm

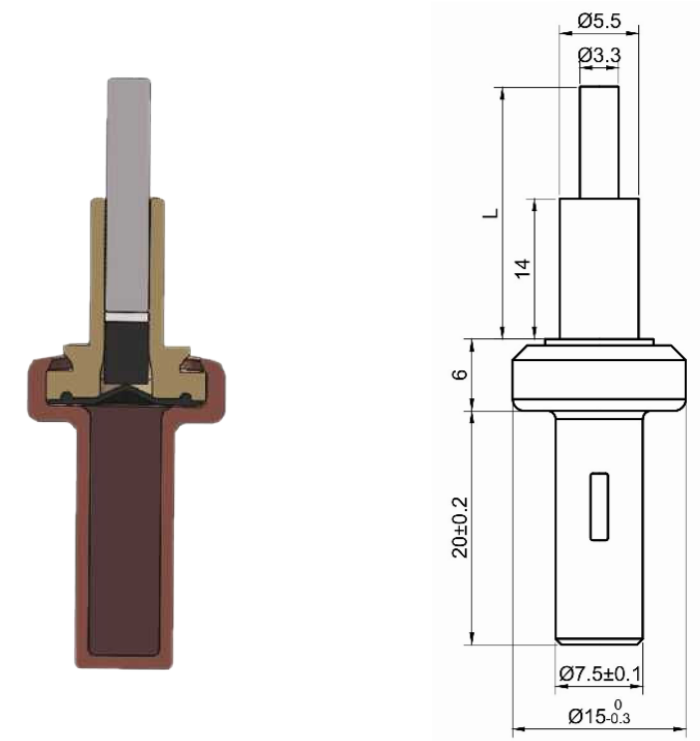
Application

- Automobile
- Shipping
- Other industries
- Plumbing
- Air conditioning
- Sanitary
- Military

Customize Solution

If you are not sure about the parameters of thermostatic element, our team will assist you with your selection or customize according to your products' situation. Before any commitment, you need to send us written confirmation for the three performance parameters of the wax thermostatic element (temperature range, working stroke and maximum load).

Dimension



Temperature VS. Stroke

