

# 920071PL USER MANUAL

Compact design, Fast installation and disassembly, Full view stroke indication

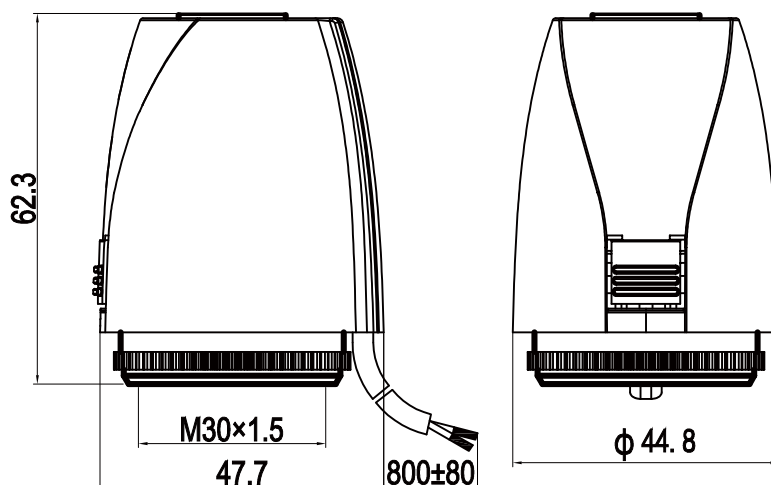


Thermal actuators are mainly used in our heating systems to control closing and opening of the valves. It is specially applied to electric drive part of the branch manifold valve, small valve and dynamic balance valve. No noise, fast installation and easy disassembly

### TECHNICAL SPECIFICATIONS

- Control direction: Normally closed
- Voltage: 220V
- Power consumption: 2w
- Stroke:  $\geq 4\text{mm}$
- Closing and opening time: 3-6mins
- Standard: EN 60730
- Force:  $100\pm 10\text{N}$
- Protection grade: IP54
- Working temperature:  $-5^{\circ}\text{C} - 60^{\circ}\text{C}$
- Adapter: M30x1.5mm
- Cable length: 800mm
- Housing material: PA66+30%GF

Unit: mm

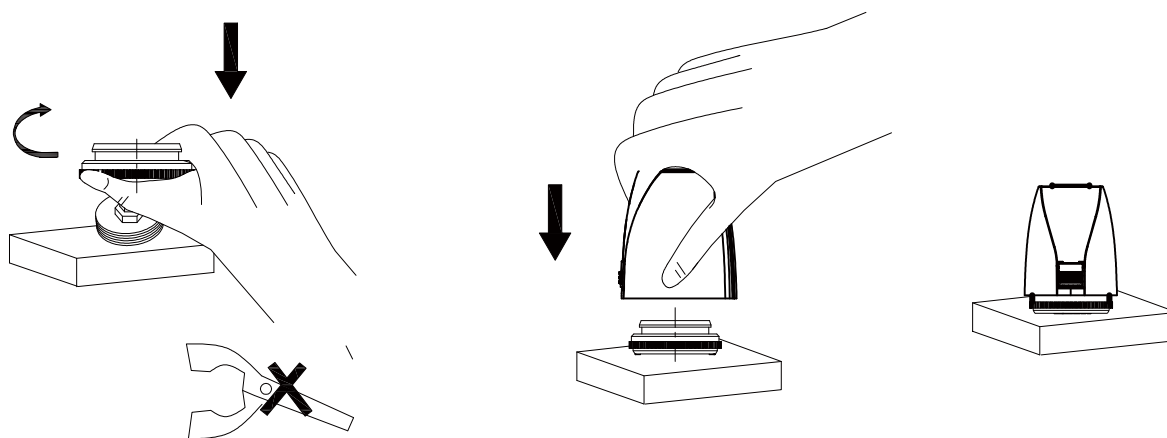


### FEATURE

- Compact design
- Fast installation and disassembly
- Noiseless
- Various adapters
- Low power consumption
- Full view stroke indication

### INSTALLATION AND DISASSEMBLY

Installation



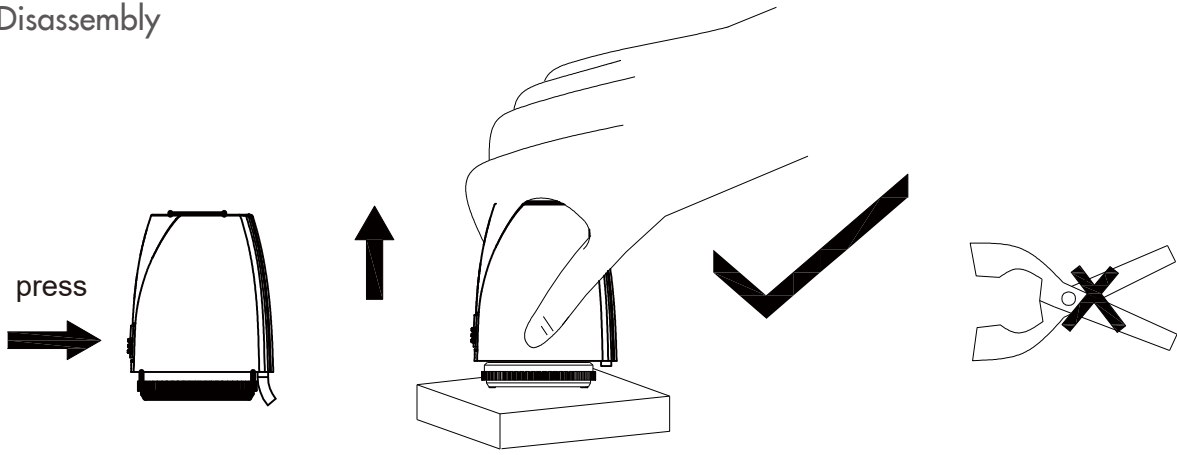
Step 1:  
Rotate the nut clockwise and install it on the valve

Step 2:  
Press down on the actuator against the adapter

Step 3:  
Finish installation

Note: Do not use pipe pliers, clamp and other tools

Disassembly



Step 1:

Press the button with your hand

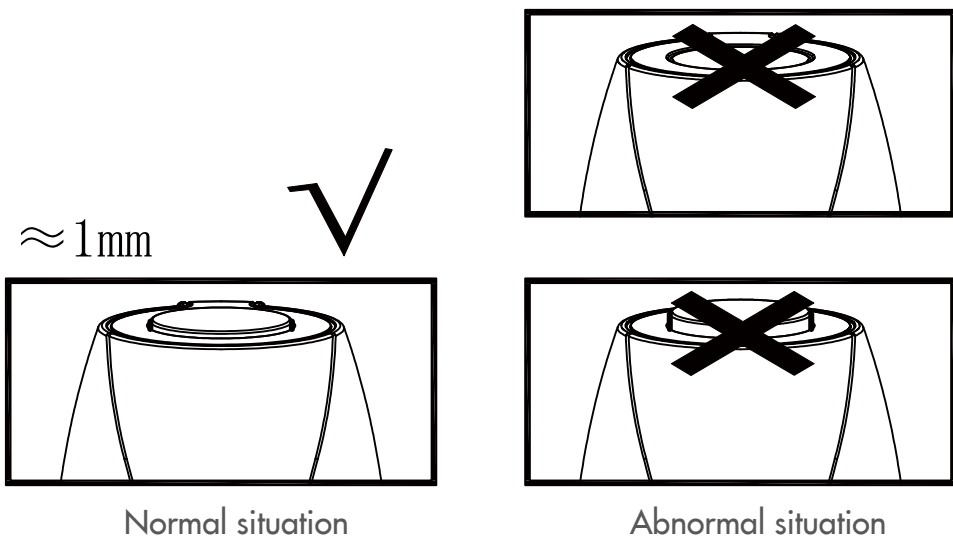
Step 2:

Press and hold the button and lift up to remove the actuator

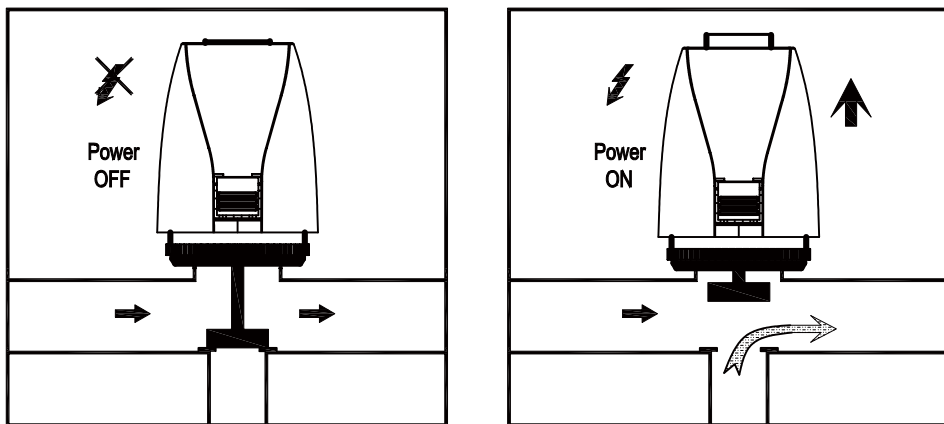
Do not use pipe pliers, clamp and other tools

**PRECAUTIONS**

Indication cover confirmation



Working situation



NC/normally closed