

## 920067PL USER MANUAL

Thermal actuators are mainly used in floor heating systems to control closing and opening of the valves. It is specifically applied to electric drive part of the branch manifold valve, small valve and dynamic balance valve. No noise, fast installation and easy disassembly.



### Feature:

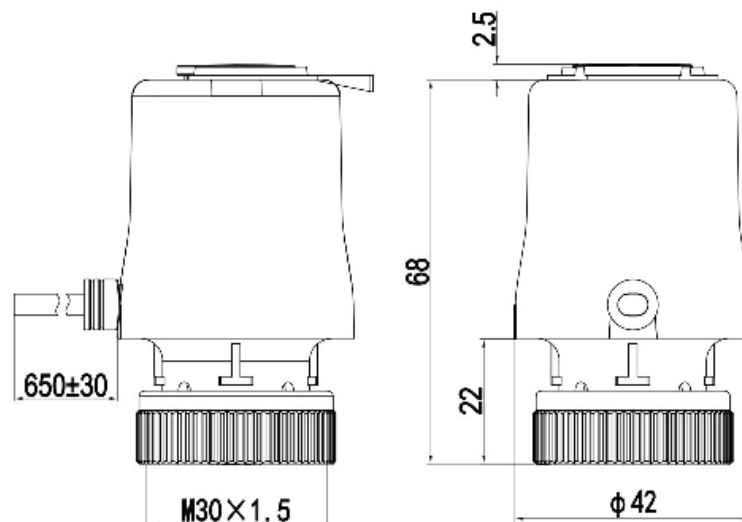
Compact size, small dimensions	Easy to install
Noiseless	First-open function
Low power consumption	Full view stroke indication

### Technical parameters:

Control direction: Normally closed	Force: 100N
Voltage: 12v 24v 230v	Protection grade: IP41
Power consumption: 2W	Working temperature: -5 °C -60 °C
Stroke: $\geq 3.4\text{mm}$	Adapter: M30x1.5mm
Closing and opening time: 3-5mins	Cable length: 700MM
Standard: EN 60730	Housing material: PA66+30%GF

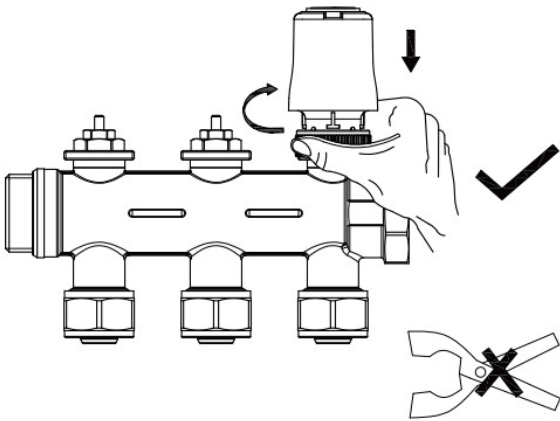
### Dimensions:

Unit: MM



## Installation and disassembly:

### Installation:



#### Step 1

Align the actuator nut with the spool threads, the front of the actuator should be facing out, then press down the actuator. (Note: Do not use pipe pliers, clamp and other tools)

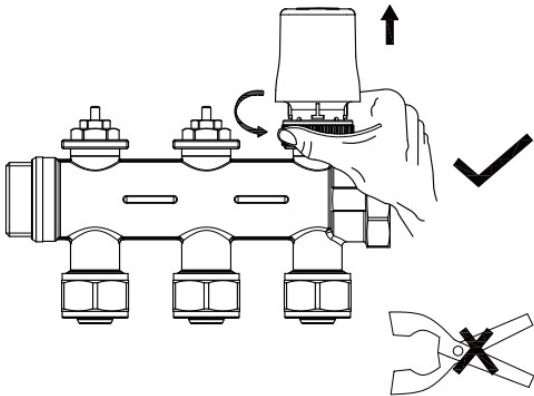
#### Step 2

Rotate the nut clockwise until it cannot move.

#### Step 3

Finish installation as is shown.

### Disassembly:

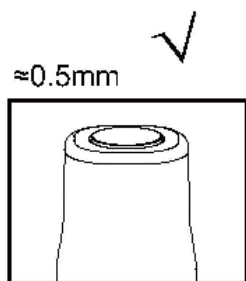


Rotate the nut anticlockwise, push up along the spool spring until remove the actuator.

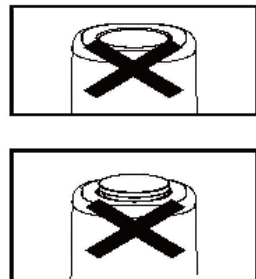
(Note: Do not use pipe pliers, clamp and other tools)

## Precautions:

### Indication cover confirmation

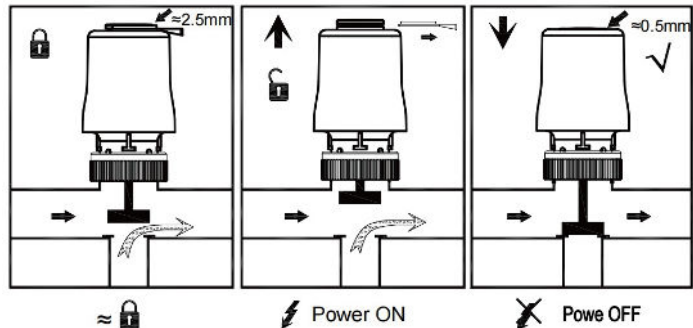


Normal situation



Abnormal situation

### Working situation



N/C normally closed  
(First installation working diagram)